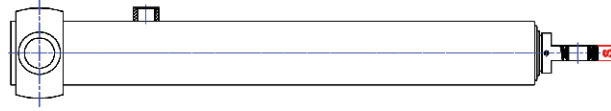
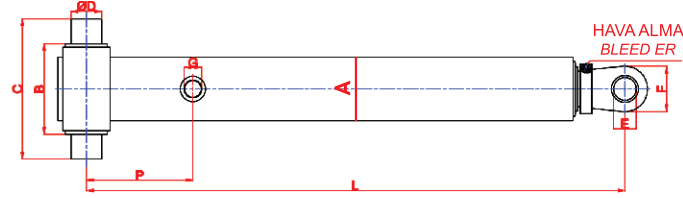


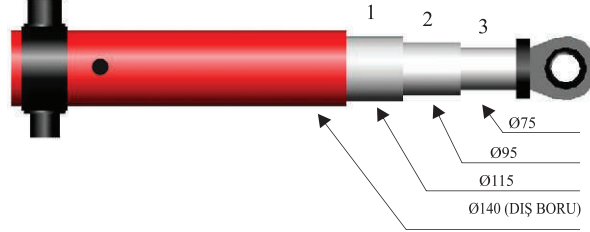


### 3 KADEMELİ ALTAN TERAZİ MAFSALLI (TİP A)

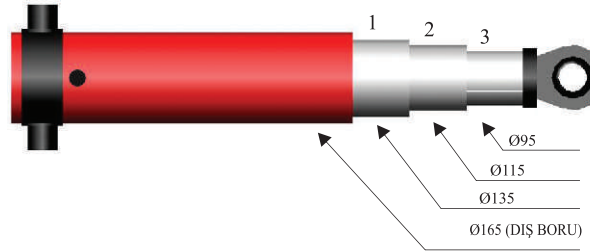
Balance articulated at front 3 stages (Type A)



3 KDM Ø75



3 KDM Ø95



TİP (TYPE)	ØA	B	C	ØD	ØE	F	G	L	S	P	H STROK	KG	MAX ÇALIŞMA BASINCI (BAR)	YAĞ HACMİ (Lt)
3x3000xØ75	140	174	274	55	50	105	R $\frac{3}{4}$ "	1290	40	210	3000	127	170	34
3x3000xØ95	165	205	325	65	50	110	R $\frac{3}{4}$ "	1290	40	210	3000	161	170	49
3x3500xØ75	140	174	274	55	50	105	R $\frac{3}{4}$ "	1415	40	210	3320	145	170	41
3x3500xØ95	165	205	325	65	50	120	R $\frac{3}{4}$ "	1415	40	210	3320	180	170	58
3x3750xØ95	165	205	325	65	50	120	R $\frac{3}{4}$ "	1550	40	210	3750	188	170	45
3x4000xØ75	140	174	274	55	50	105	R $\frac{3}{4}$ "	1600	40	250	4000	154	170	48
3x4000xØ95	165	205	325	65	50	120	R $\frac{3}{4}$ "	1600	40	250	4000	192	170	67

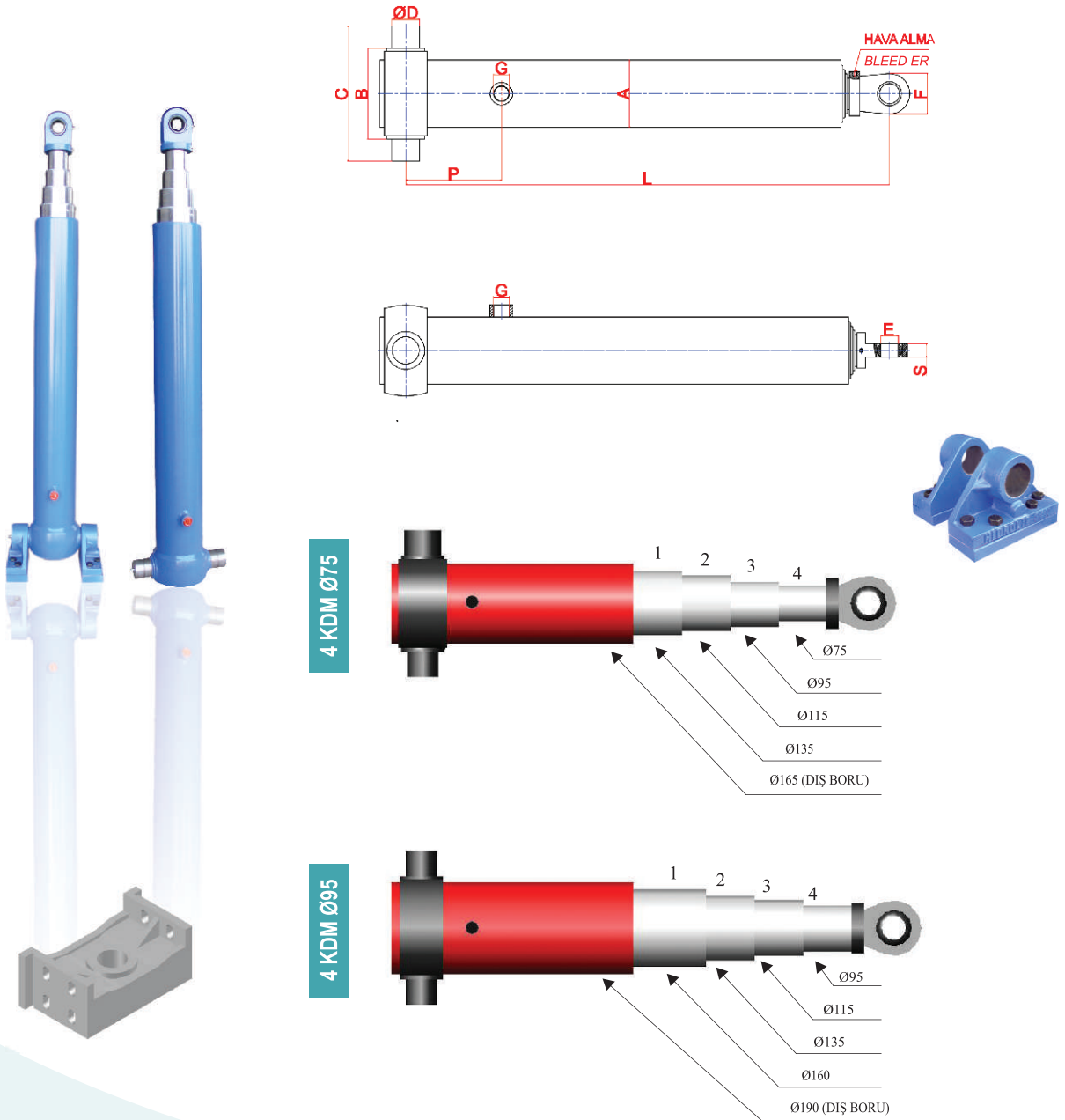
Kapalı boy ve strok ölçüleri talebe göre değiştirilebilir.

Length and stroke dimensions are subject to change according to demand closed



## 4 KADEMELİ ALTAN TERAZİ MAFSALLI (TİP A)

Balance articulated at front 4 stages (Type A)



4 KDM Ø75

4 KDM Ø95

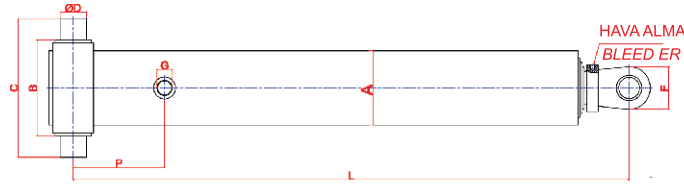
TİP (TYPE)	ØA	B	C	ØD	ØE	F	G	L	S	P	H STROK	KG	MAX ÇALIŞMA BASINCI (BAR)	YAĞ HACMİ (Lt)
HDC 4x2900xØ75	165	205	325	65	50	105	R $\frac{3}{4}$ "	1000	40	210	2900	115	170	29
HDC 4x3360xØ75	165	205	325	65	50	105	R $\frac{3}{4}$ "	1200	40	210	3360	165	170	34
HDC 4x4000xØ75	165	205	325	65	50	105	R $\frac{3}{4}$ "	1290	40	210	4000	185	170	40
HDC 4x4000xØ95	190	235	355	65	50	110	R $\frac{3}{4}$ "	1290	40	210	4000	235	170	57
HDC 4x4500xØ75	165	205	325	65	50	105	R $\frac{3}{4}$ "	1415	40	210	4000	205	170	50
HDC 4x4500xØ95	190	235	355	65	50	110	R $\frac{3}{4}$ "	1415	40	210	4000	237	170	66

Kapalı boy ve strok ölçüleri talebe göre değiştirilebilir.  
Length and stroke dimensions are subject to change according to demand closed

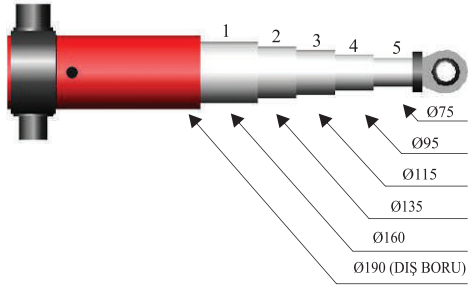


## 5 KADEMELİ ALTAN TERAZİ MAFSALLI (TİP A)

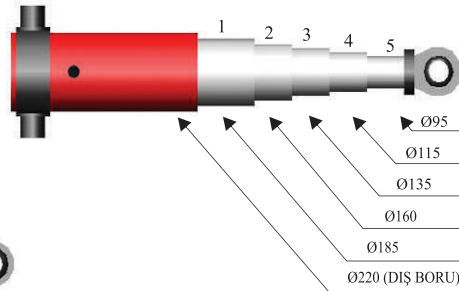
Balance articulated at front 5 stages (Type A)



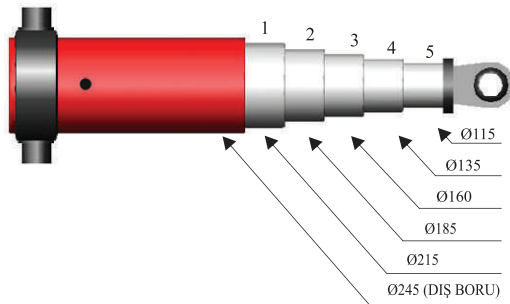
5 KDM Ø75



5 KDM Ø95



5 KDM Ø115



TİP (TYPE)	ØA	B	C	ØD	ØE	F	G	L	S	P	H STROK	KG	MAX ÇALIŞMA BASINCI (BAR)	YAĞ HACMI (Lt)
5x5000xØ75	190	235	355	65	50	105	R $\frac{3}{4}$ "	1370	40	210	5000	223	170	71
5x5000xØ95	220	255	370	65	50	110	R $\frac{3}{4}$ "	1380	40	210	5000	298	170	97
5x5700xØ75	190	235	355	55	50	105	R $\frac{3}{4}$ "	1415	40	210	5535	254	170	96
5x5700xØ95	220	255	370	65	50	110	R $\frac{3}{4}$ "	1415	40	210	5508	306	170	103
5x5700xØ115	245	295	410	68	50	120	R $\frac{3}{4}$ "	1415	40	210	5480	410	170	160
5x6055xØ115	245	295	410	68	60	120	R1"	1550	40	400	6055	436	170	175
5x6400xØ115	245	295	410	68	60	120	R1"	1650	40	400	6400	465	170	185
5x6900xØ115	245	295	410	68	60	120	R1"	1750	40	400	6900	490	170	202

Kapalı boy ve strok ölçüleri talebe göre değiştirilebilir.

Length and stroke dimensions are subject to change according to demand closed